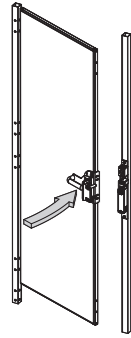




P-KUBE safety handles



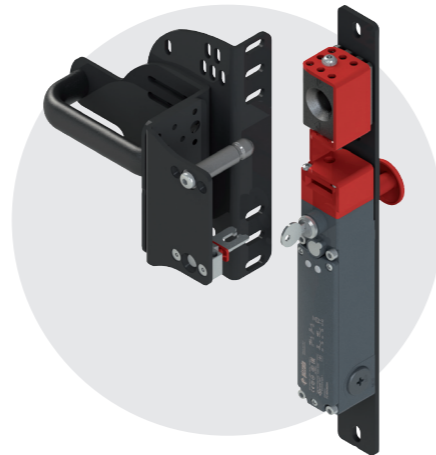
P-KUBE



Building on its decades of experience in the field of safety switches for machinery guards, Pizzato Elettrica presents the **P-KUBE** family of safety handles. These handles, with their characteristic simplicity, versatility, and robustness, constitute an effective solution for machine builders and installers. Robust, and compatible with all guard-locking switches, the P-KUBE handles can be used on all types of door – both hinged and sliding, left or right – with a unique product code; and they adapt with ease to all installation situations, thanks to metal brackets with adjustable slots.

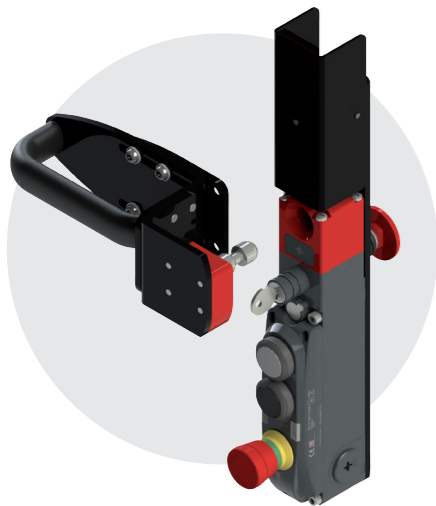
P-KUBE 1

- Can be used with FD series safety switches with separate actuator without lock, as well as FG and FY series with lock.
- Robust metal self-centring pin, to ensure perfect alignment between door and jamb.
- Metal pin with mechanical door stop at limit of travel: no safety switch mechanical stress.
- Integral lock out device to which a padlock can be fitted, to prevent accidental guard closure.



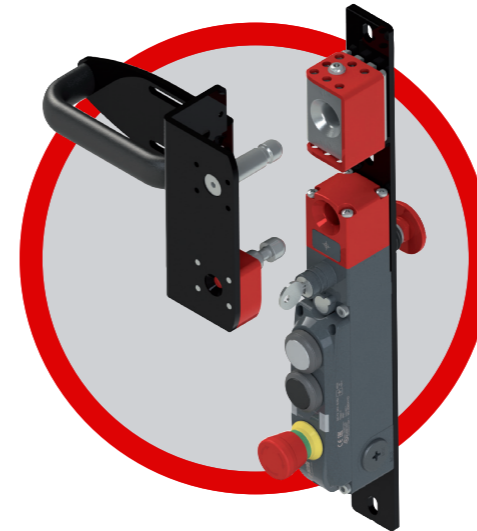
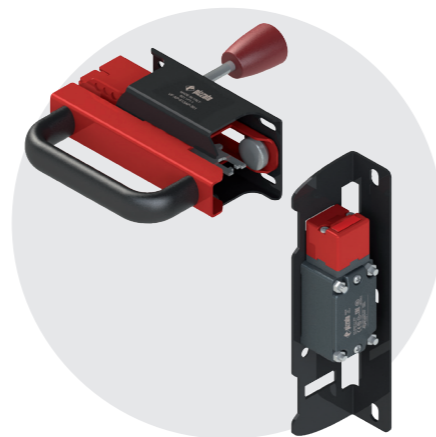
P-KUBE 2

- Can be used with NG series safety switches with lock and RFID technology.
- Increased locked actuator holding force: up to 9,750 N.
- Door retaining force (30 N) when door unlocked, to prevent accidental opening.
- High level of anti bypass coding, thanks to actuators with RFID technology.
- Lock out device available on request, to which a padlock can be fitted to prevent accidental guard closure.
- Dual safety lock out: mechanical shielding, also of actuator RFID recognition.



P-KUBE Fast

- Can be used with FD series safety switches with separate actuator without lock, as well as FG and FY series with lock.
- Compact, lightweight solution.
- Integrated internal lever for emergency guard opening.
- Sliding motion with internal mechanical stop, to prevent impacts between actuator and switch during closure.
- Integral lock out device to which a padlock can be fitted, to prevent accidental guard closure.

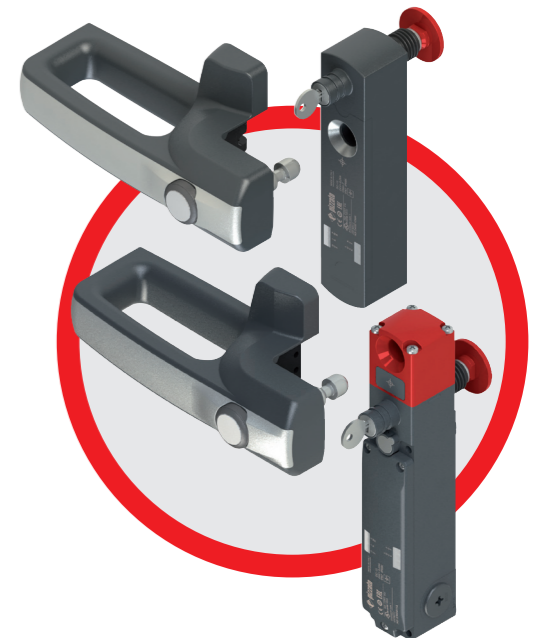


P-KUBE Super

- Designed for installation in particularly demanding work environments (rolling mills, for example).
- Dual centring pin, ideal for heavier doors with significant misalignment.
- Can be used with NG series safety switches with lock and RFID technology.
- Increased locked actuator holding force: up to 9,750 N.
- Door retaining force (30 N) when door unlocked, to prevent accidental opening.
- Metal pin with mechanical door stop at limit of travel: no safety switch mechanical stress.
- High anti bypass coding level, thanks to RFID technology actuators.
- Integral lock out device to which a padlock can be fitted, to prevent accidental guard closure.

P-KUBE Krome

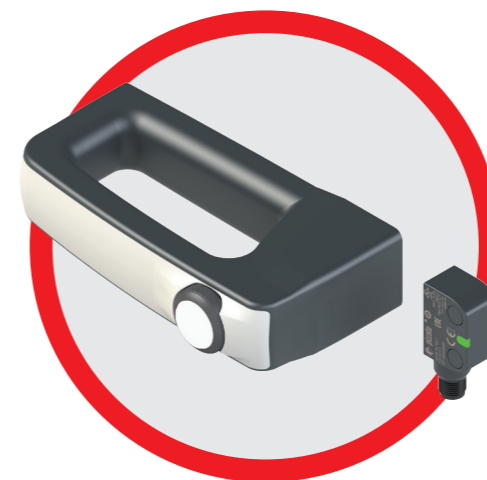
- Compatible with NG and NS series safety locking switches with RFID technology.
- Front grip customisable in various finishes.
- Illuminated control button, built into the grip, with call, open, reset, etc. functions.
- Modern and ergonomic design; fully concealed fixing screws and cabling.
- Tamper prevention, from interlocking protection caps inserted to fixing screw holes.
- High anti bypass coding level, thanks to RFID technology actuators.
- Compatible with lock out devices for NG and NS series safety switches with RFID technology.
- Available also with integrated RGB LEDs, for local signalling of guard state.
- Ability to light up a single handle in green, yellow, red, blue, white, purple, and pale blue.



NEW!

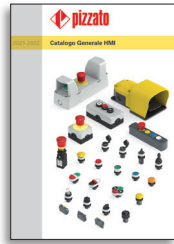
P-KUBE Smart

- Usable with ST series RFID safety sensors.
- Front grip customisable in various finishes.
- Illuminated control button, built into the grip, with call, open, reset, etc. functions.
- Modern and ergonomic design; fully concealed fixing screws and cabling.
- Tamper prevention, from interlocking protection caps inserted to fixing screw holes.
- High anti bypass coding level, thanks to RFID technology actuators.
- Available also with integrated RGB LEDs, for local signalling of guard state.
- Ability to light up a single handle in green, yellow, red, blue, white, purple, and pale blue.
- Possibility of application with horizontal or vertical handle.
- Direct fixing on the grip or through solid inner plate.





General Catalogue
Detection



General Catalogue
HMI



General Catalogue
Safety



General Catalogue
Lift



Website
www.pizzato.com



Pizzato Elettrica s.r.l. via Torino, 1 - 36063 Marostica (VI) Italy
Phone: +39 0424 470 930
E-mail: info@pizzato.com
Website: www.pizzato.com

Any information or application example, connection diagrams included, described in this document are to be intended as purely descriptive. The choice and application of the products in conformity with the standards, in order to avoid damage to persons or goods, is the user's responsibility. The drawings and data contained in this document are not binding and we reserve the right, in order to improve the quality of our products, to modify them at any time without prior notice. All rights to the contents of this publication are reserved in accordance with current legislation on the protection of intellectual property. The reproduction, publication, distribution and modification, total or partial, of all or part of the original material contained therein (including, but not limited to, texts, images, graphics), whether on paper or in electronic form, are expressly prohibited without written permission from Pizzato Elettrica Srl. All rights reserved. © 2022 Copyright Pizzato Elettrica.

ZE BRC15A22-ENG



8 018851 590191