



## LK S lock out device for NS series safety switches



# LK S lock out device for NS series safety switches

## Description



The device has a **full metal design** and is attached laterally to the holes on the NS device, without any auxiliary fixing plate or support.

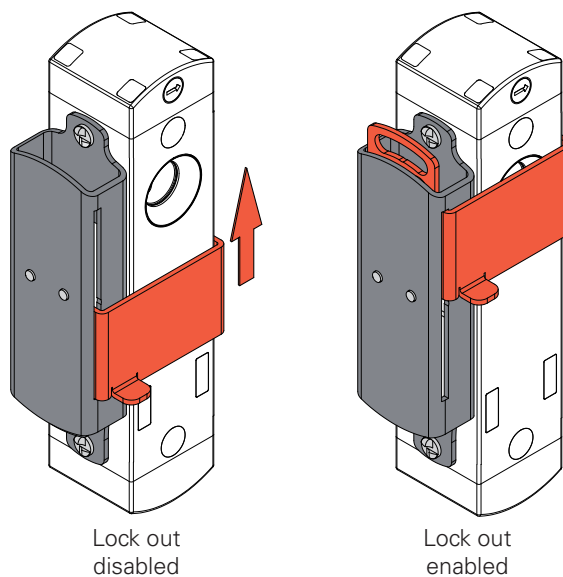
The door, in addition to mechanically closing the actuator entry hole, also functions as a **shield for the RFID receiver antenna** on the NS switch; thus ensuring an additional level of protection against accidental closure of the guard and untimely machine restart. This is particularly effective, for example, for machines with an installed low-level coded actuator, making any attempt to bypass the switch impossible.

When the door is raised, a ring emerges on the top of the device, allowing insertion of **up to 5 padlocks**.

## Operation

To prevent unintentional guard closure, simply move the red door upwards so that the actuator entry hole is fully covered, and the pin cannot be inserted.

Before entering the danger zone, each operator must insert his or her own personal padlock in the lock out slot. This means that the lock out device can be unlocked only once all padlocks have been removed; i.e., once all operators have exited the danger zone.



## General data

Made entirely of metal for ultimate durability.

Easy installation: using just two tamper-proof screws directly on the body of the NS switch.



Allows insertion of up to 5 padlocks with a 3.5 mm arc diameter.



Dual safety: mechanical closure and shielding of actuator RFID recognition function.

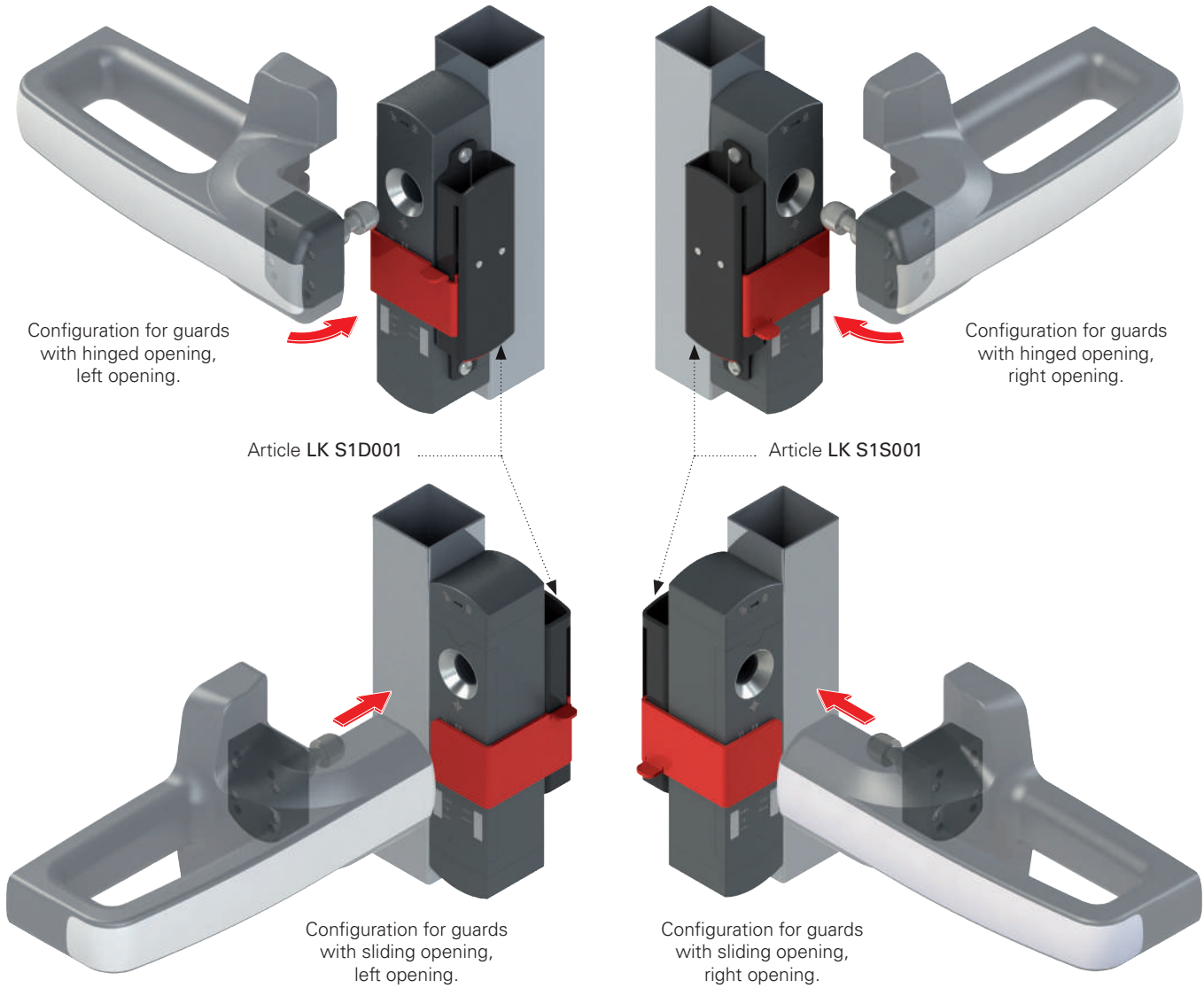


## Maximum adaptability and compatibility with Pizzato products

The precise engineering of the LK S lock out device has enabled implementation of a **highly versatile product**, able to easily adapt to all potential configurations of guards on which an NS series switch is used.

The unique shape of the door that seals the actuator hole allows the LK S lock out device to be used on both hinged and sliding guards, on both left and right.

The lock out and interlock switch are designed and manufactured for ideal compatibility with the new **P-KUBE Krome** handles by Pizzato Elettrica; allowing implementation of robust and functional protection systems, with an innovative aesthetic impact.



### Code structure

# LK S1D001

**Device type**  
**S** For NS series switches

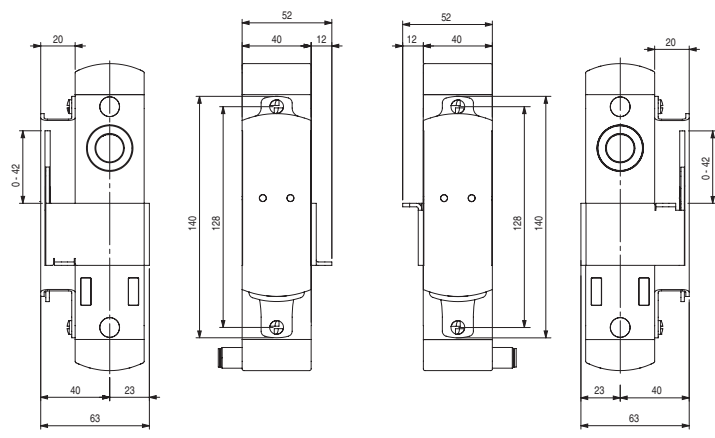
**Orientation**  
**D** Installation on right of switch  
**S** Installation on left of switch

Note: to match the contour of the NS switches, the specific version of the lock out device must be ordered for left- or right-hand sided installation.

### Dimensional drawings

Article LK S1S001

Article LK S1D001





General Catalogue  
Detection



General Catalogue  
HMI



General Catalogue  
Safety



General Catalogue  
Elevators



DVD



Website  
[www.pizzato.com](http://www.pizzato.com)



PASSION FOR QUALITY

**Pizzato Elettrica s.r.l.** Via Torino, 1 - 36063 Marostica (VI)  
Phone +39 0424 470 930 - Fax +39 0424 470 955  
E-mail: [info@pizzato.com](mailto:info@pizzato.com) - Website: [www.pizzato.com](http://www.pizzato.com)

ZE FGL26A18-ENG



8 018851 481314